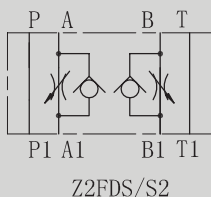
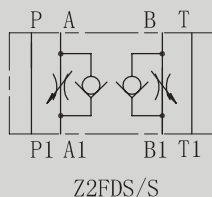


Z2FDS 型叠加式双单向节流阀

Z2FDS SERIES DOUBLE THROTTLE CHECK VALVES



符号 SYMBOL



Z2FDS 型叠加式双单向节流阀通过改变节流口断面大小来调节油路流量，从而实现流量控制，在反向时，液压油直接通过单向阀回油。

Z2FDS series double throttle/check valves are used to restrict flow in one direction while allowing free-flow in the opposite direction as check valves.

▶ 技术参数 Technical data

通径 Size	6	10	16	22
工作压力(MPa) Operating pressure (MPa)	31.5	31.5	31.5	31.5
流量(L/min) Flow rate (L/min)	80	160	250	350
介质温度范围 (°C) Fluid temperature range (°C)	-30 ~ 80°C	-30 ~ 80°C	-30 ~ 80°C	-30 ~ 80°C
重量(千克) Weight(KGS)	1	2.2	4.7	8
阀体 (材料) 表面处理 Valve body (Material) Surface treatment	铸件 表面磷化处理 casting phosphating surface			
油液清洁度/Oil cleanliness	NAS1638 9级和ISO4406 20/18/15级 NAS1638 class 9 and ISO4406 class 20/18/15			

型号
Model

通径: 6; 10; 16; 22
Size: 6,10,16,22

系列号30 = 通径6、16、22; 20 = 通径10
Series number 30=Size6,16,22; 20=Size10

Z2FDS 6 30 / S V *

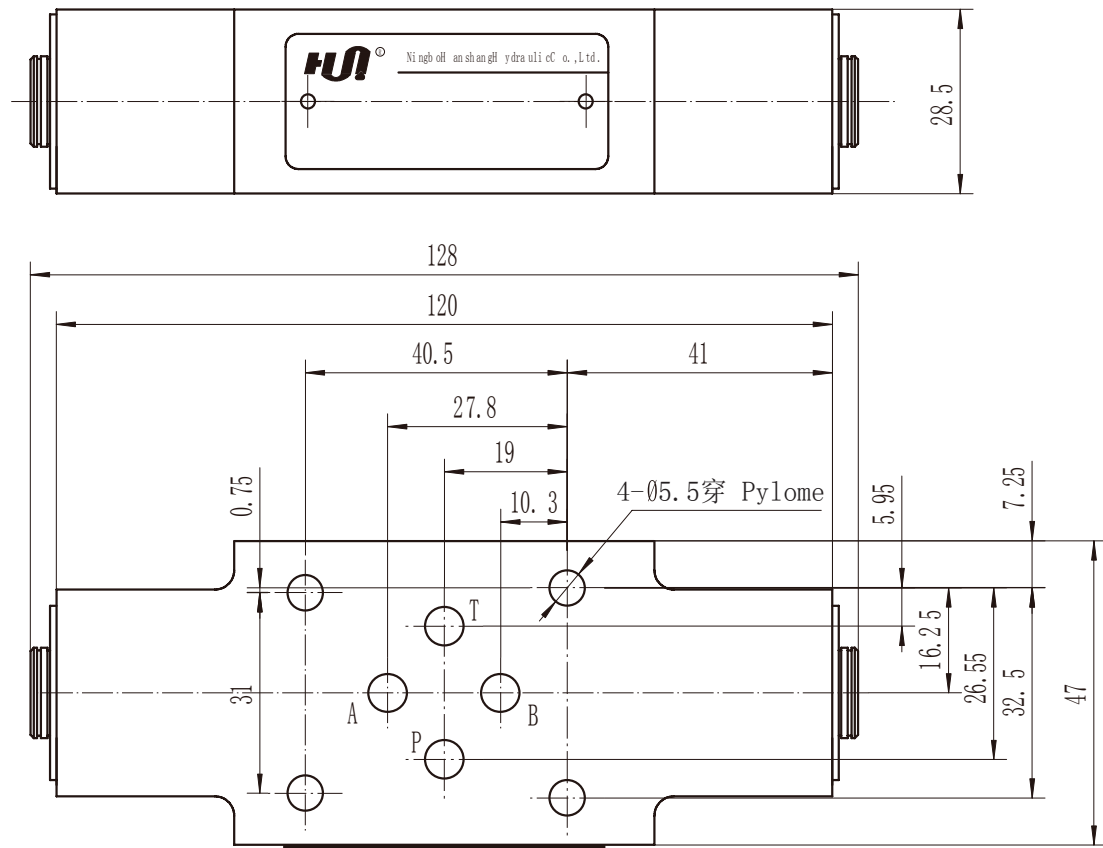
附加说明
For further details

无=丁晴橡胶
V=氟橡胶

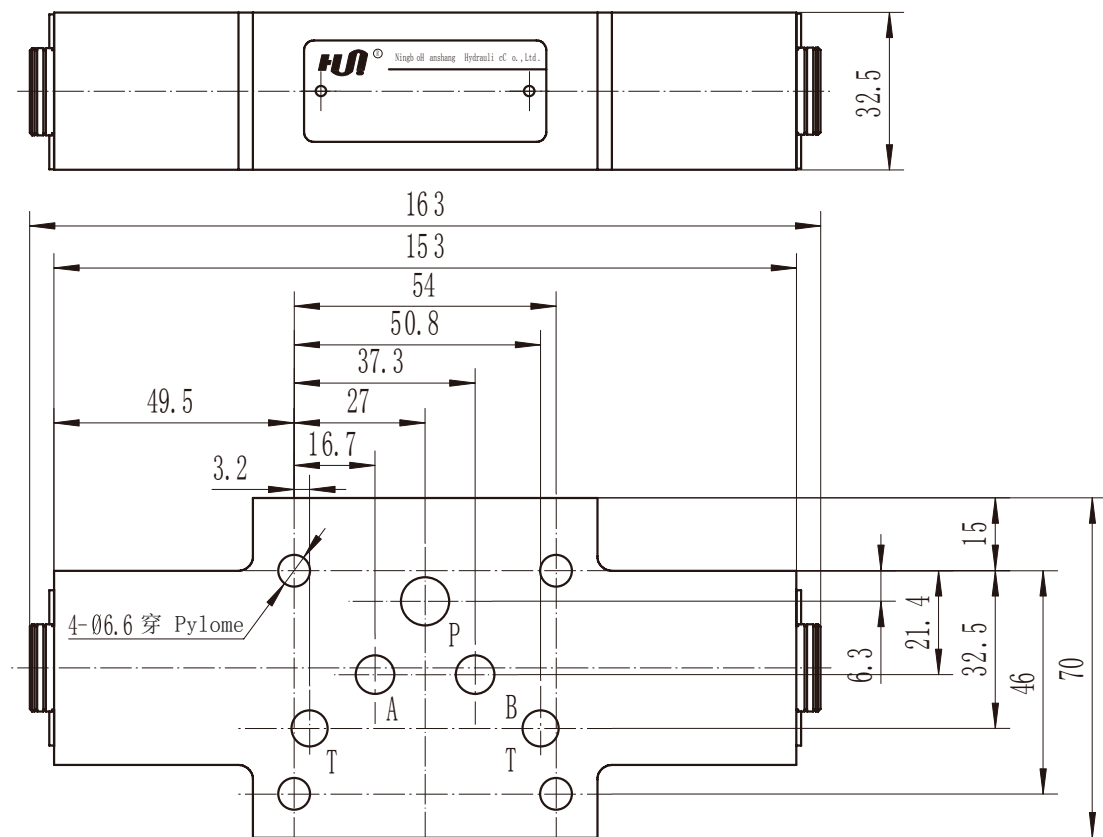
No code=NBR seals for petroleum oils
V=FPM seals for phosphate ester

S=进口节流; S2 = 出口节流
S=Meter-in control; S2=Meter-out control

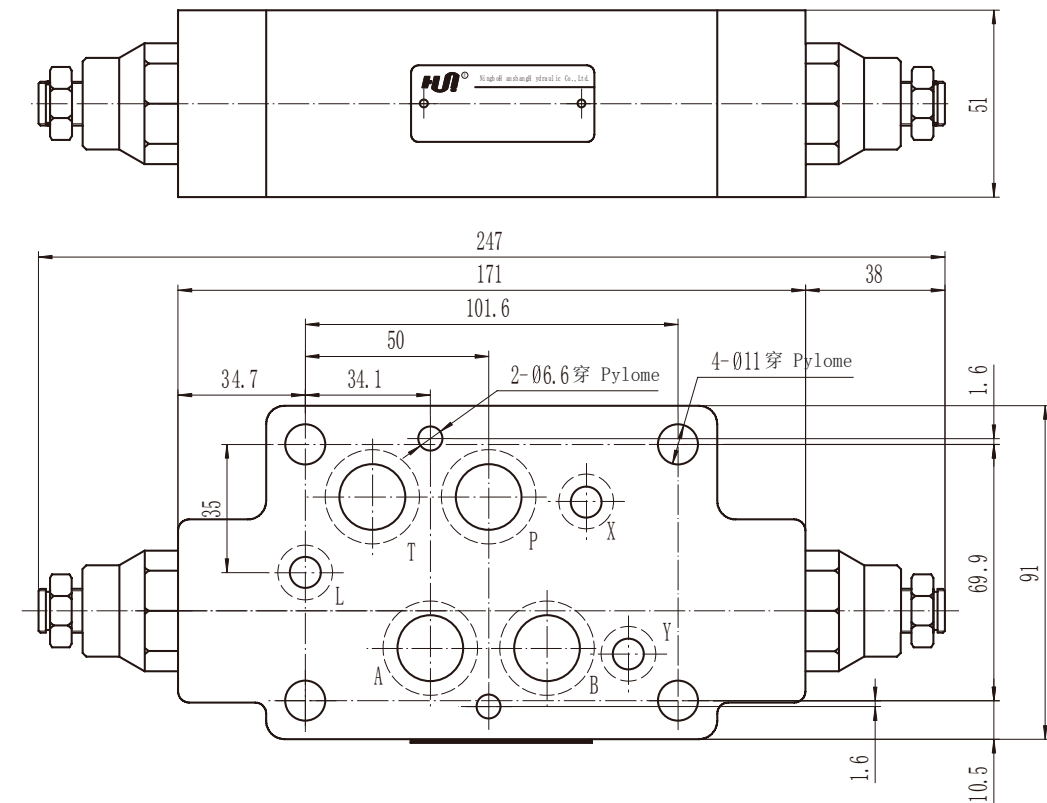
Z2FDS6外形尺寸和安装 Z2FDS6 External Dimensions and Fittings



Z2FDS10外形尺寸和安装 Z2FDS10 External Dimensions and Fittings



Z2FDS16外形尺寸和安装 Z2FDS16 External Dimensions and Fittings



Z2FDS22外形尺寸和安装 Z2FDS22 External Dimensions and Fittings

