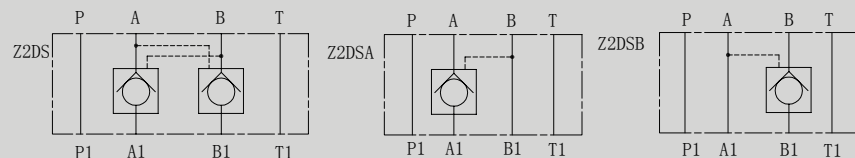


Z2DS型叠加式单向阀

Z2DS SERIES PILOT CONTROLLED MODULAR CHECK VALVES



符号 SYMBOL

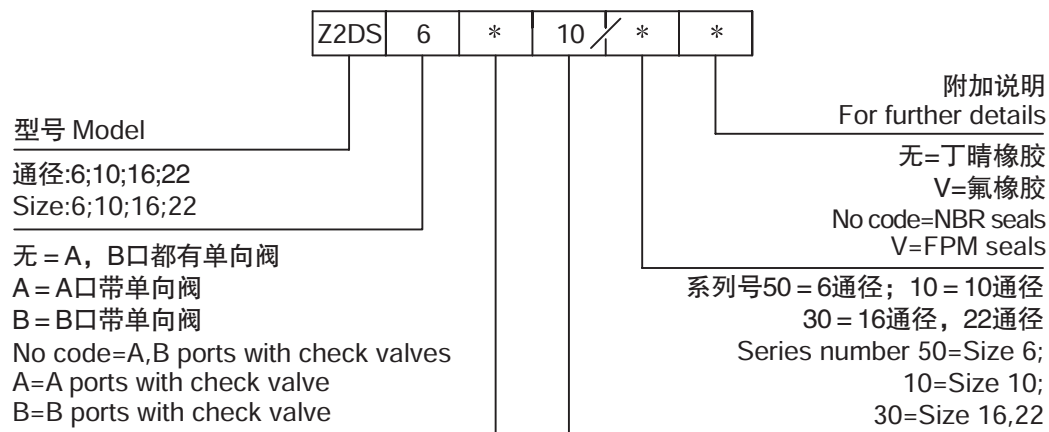


Z2DS型单向阀是叠加式液控单向阀，它可用于关闭一个或两个工作油口且无泄漏持续工作时间长，稳定性好。

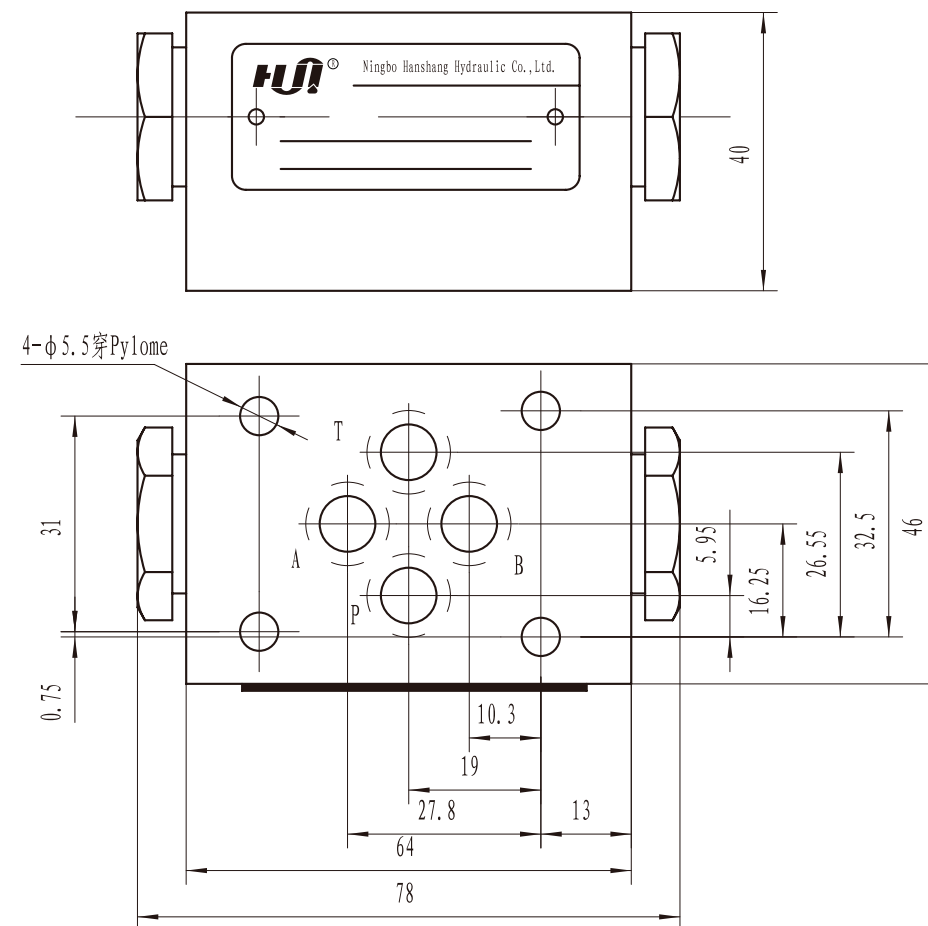
Z2DS series are pilot operated style sandwich valves. These valves used to close one or two actuator ports.

技术参数 Technical data

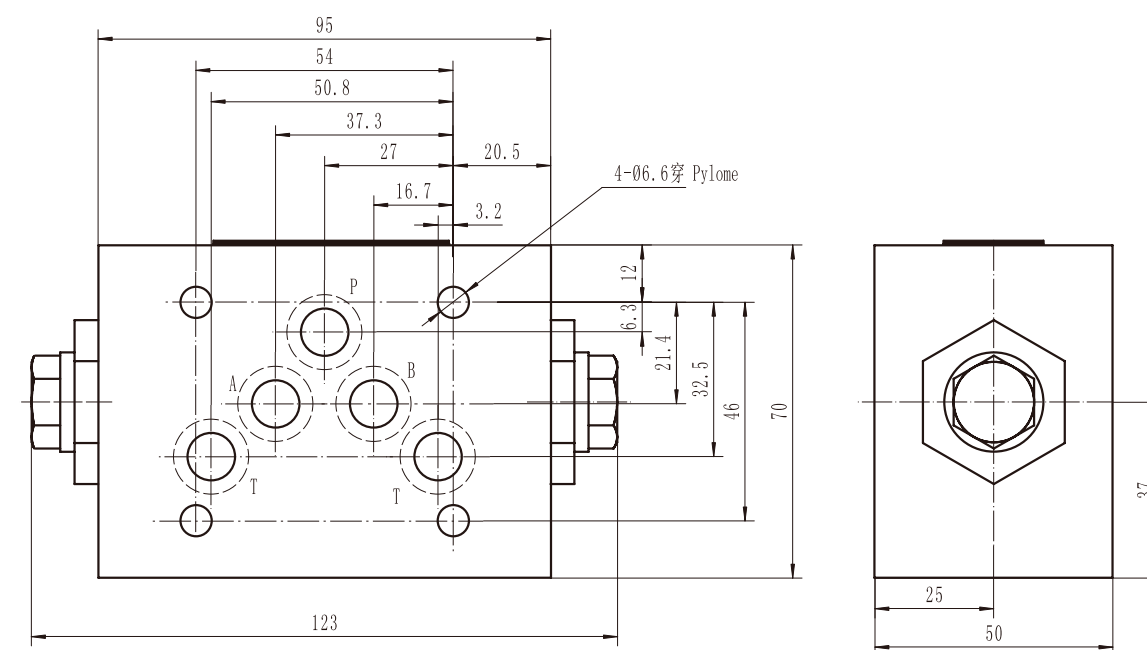
通径 Size	6	10	16	22
工作压力(MPa) Operating pressure (MPa)	31.5	31.5	31.5	31.5
流量(L/min) Flow rate (L/min)	50	80	200	300
介质温度范围(°C) Fluid temperature range (°C)	-30 ~ 80°C	-30 ~ 80°C	-30 ~ 80°C	-30 ~ 80°C
重量(千克) Weight(KGS)	1	2.2	6.8	12.8
阀体(材料)表面处理 Valve body (Material) Surface treatment	铸件 表面磷化处理 casting phosphating surface			
油液清洁度/Oil cleanliness	NAS1638 9级和ISO4406 20/18/15级 NAS1638 class 9 and ISO4406 class 20/18/15			



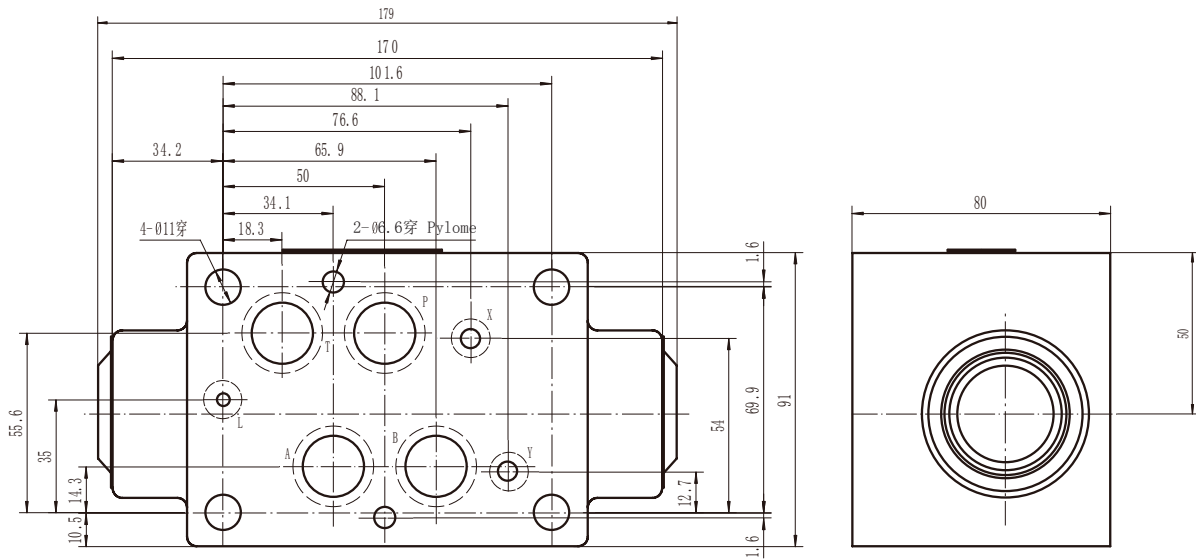
Z2DS6外形尺寸和安装 Z2DS6 External Dimensions and Fittings



Z2DS10外形尺寸和安装 Z2DS10 External Dimensions and Fittings



Z2DS16外形尺寸和安装 Z2DS16 External Dimensions and Fittings



Z2DS22外形尺寸和安装 Z2DS22 External Dimensions and Fittings

