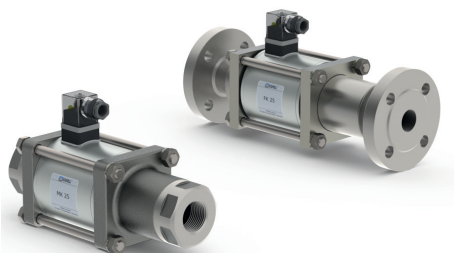


03/2022



⚠ Above stated body materials refer to the valve port connections that get in contact with the media only!

details needed

- orifice
- port
- function NC/NO
- operating pressure
- flow rate
- media
- media temperature
- ambient temperature
- nominal voltage

⚠ The valves' technical design is based on media and application requirements. This can lead to deviations from the general specifications shown on the data sheet with regards to the design, sealing materials and characteristics.

⚠ If order or application specifications are incomplete or imprecise there exists a risk of an incorrect technical design of the valve for the required application. As a consequence, the physical and / or chemical properties of the materials or seals used, may not be suitable for the intended application. To avoid hydraulic shocks in pipelines, the flow velocities must be taken into account when designing valves for liquids.

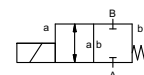
2/2-way valve

- pressure range**
- orifice**
- connection**
- function**

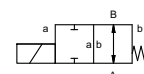
direct acting

- PN 0-100 bar
- DN 25 mm
- thread/flange

valve normally closed
symbol **NC**



valve normally open
symbol **NO**



operating principle

body material

pressure balanced, with spring return

- ① brass
- ② steel galvanized
- ③ brass, nickel plated
- ④ steel, nickel plated
- ⑤ without non-ferr. Metals
- ⑥ aluminium
- ⑦ stainless steel

valve seat

synthetic materials on metal

seal materials

NBR PTFE, FPM, CR, EPDM

ports

general specifications

options

- function**
- pressure range**

- MK threads G 1 - G 1 1/2
- FK flanges PN 16 / 40 / 100
- NC
- bar 0-16 / 0-40 / 0-63 / 0-100
- special threads
- special flanges
- NO
- > 100 bar upon request

Kv value

m³/h 13,0

vacuum

leak rate < 10⁻⁶ mbar•L•s⁻¹

pressure-vacuum

P₁ ↔ P₂ upon request

back pressure

P₂ > P₁ available (max. 16 bar)

media

gaseous - liquid - highly viscous - gelatinous - contaminated

abrasive media damping

upon request

flow direction

opening

closing available

switching cycles

A ↔ B as marked bi-directional (max. 16 bar)

switching time

1/min 130

ms opening 130

closing 130

media temperature

°C DC: -20 to +100 -40 to +160

AC: -20 to +100 -40 to +160

ambient temperature

°C DC: -20 to +80

AC: -20 to +80

limit switches

inductive / mechanical

manual override

available

approvals

LR/DNV/WAZ

mounting

mounting brackets

weight

kg MK 8,0 FK 10,5

additional equipment

upon request

nominal voltage

electrical specifications

options

actuation

- U_n DC 24 V +5%/-10% special voltage upon request
- U_n AC 230 V +5%/-10% 40-60 Hz special voltage upon request
- DC direct-current magnet
- AC direct-current magnet with integrated rectifier above 100 °C with separate rectifier

insulating rating

H 180°C

protection

IP65

energized duty rating

ED 100%

connection

plug acc. DIN EN 175301-803 form A, 4 terminal box M16x1,5 positions x90° / wire diameter 6-8 mm

optional

M12x1 connector acc. DESINA connector acc. VDMA

additional equipment

illuminated plug with varistor

current consumption

N-coil DC 24 V 2,70 A
AC 230 V 40-60 Hz 0,36 A

explosion proof

- H-coil DC 24 V 2,70 A
- AC 230 V 40-60 Hz 0,36 A
- terminal box M16x1,5
- Ⓜ II 3G Ex nA IIC T3 Ta -20...+80°C Gc
- Ⓜ II 3D Ex tc IIIC T195°C Ta -20...+80°C Dc
- Ⓜ II 3G Ex h IIC T3 Gc
- Ⓜ II 3D Ex h IIIC T195°C Dc

limit switches

- inductive (I) normally open-PNP
- inductive (B) normally open-PNP
- mechanical single pole double throw-SPDT

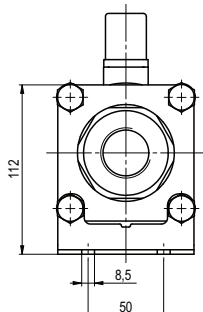
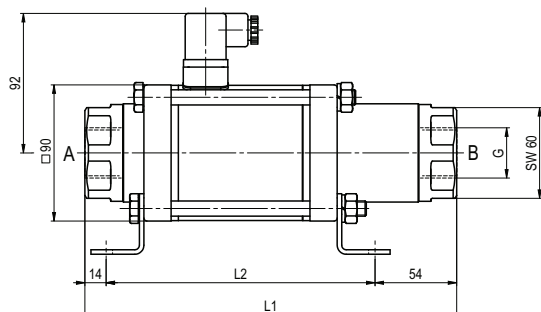
■ specifications not highlighted are standard
■ specifications highlighted in grey are optional

coax® data sheet - coaxial valve

type MK 25

FK 25

function: **NC**
closed when not energized



constructive length	L1	L2	L3
standard	246	178	302
with inductive limit switches	287	219	343
with manual override / inductive limit switches	299	231	355
with mechanical limit switches	287	219	343

flanges PN	DIN	ØD	Øk	Ød
16	EN 1092-1	115	85	14
40	EN 1092-1	115	85	14
100	EN 1092-1	140	100	18

function: **NO**
open when not energized

