

Accessories, D series

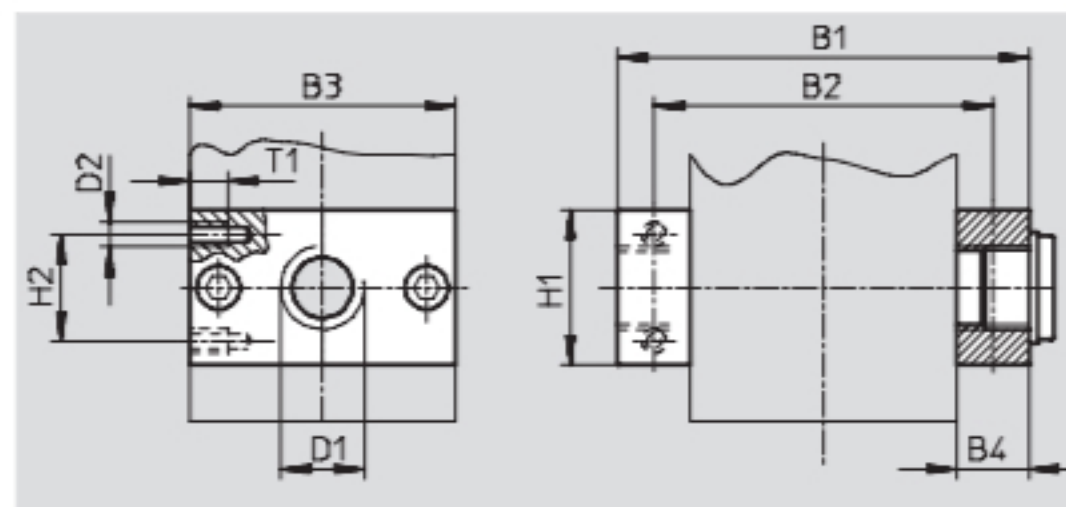
Connecting plates

Connecting plates LRBAS-D

- For pressure regulators LRB/LRBS

Material:

Die-cast zinc



Dimensions and ordering data												
Size	Connection	B1	B2	B3	B4	D1	D2	H1	H2	T1 max.	Part No.	Type
Mini	G1/4	64	52	40	12	G1/4	M4	20	11	7	525033	LRBAS-1/4-D-MINI
	G3/8	70	52	40	15	G3/8	M4	23	11	7	525034	LRBAS-3/8-D-MINI
Midi	G3/8	85	70	55	15	G3/8	M5	32	22	8	525035	LRBAS-3/8-D-MIDI
	G1/2	85	70	55	15	G1/2	M5	32	22	8	525036	LRBAS-1/2-D-MIDI

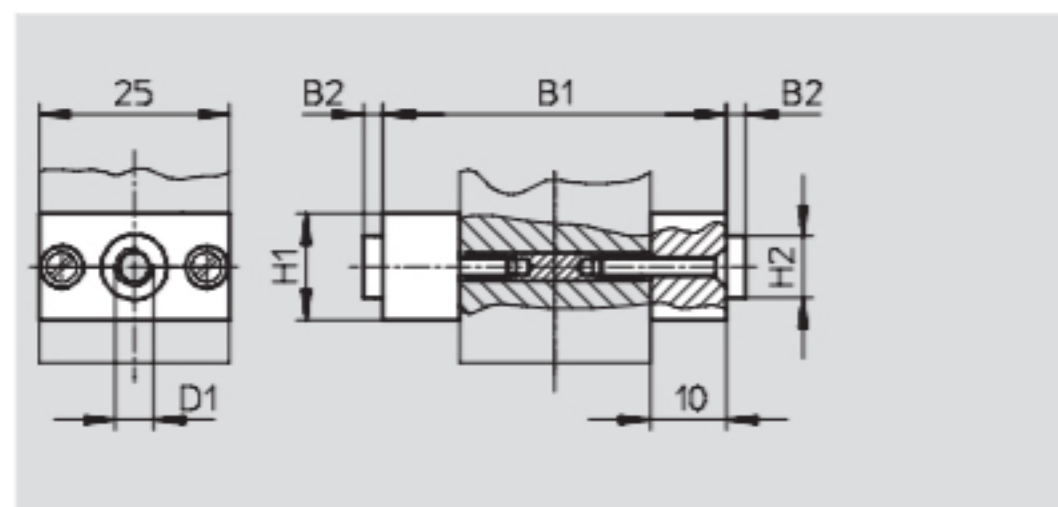
Note: This product conforms to ISO 1179-1 and to ISO 228-1

Connecting plate kit PBL-D

- For service units FRC, filter regulators LFR, filters LF, pressure regulators LR and lubricators LOE

Material:

Wrought aluminium alloy



Dimensions and ordering data							
Size	Connection	B1	B2	D1	H1	H2	Part No. Type
Micro	G1/8	45	-	G1/8	14	-	526318 PBL-1/8-D-MICRO
	QS4	45	2.5	QS4	14	8	526321 PBL-QS4-D-MICRO
	QS6	45	2.5	QS6	14	10	526322 PBL-QS6-D-MICRO