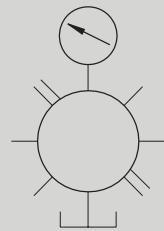


### AM6E型六点压力表开关

#### AM6E SERIES PRESSURE GAUGE SWITCH WITH 6 POINTS

##### 符号 SYMBOL



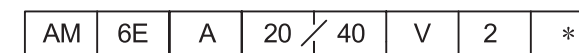
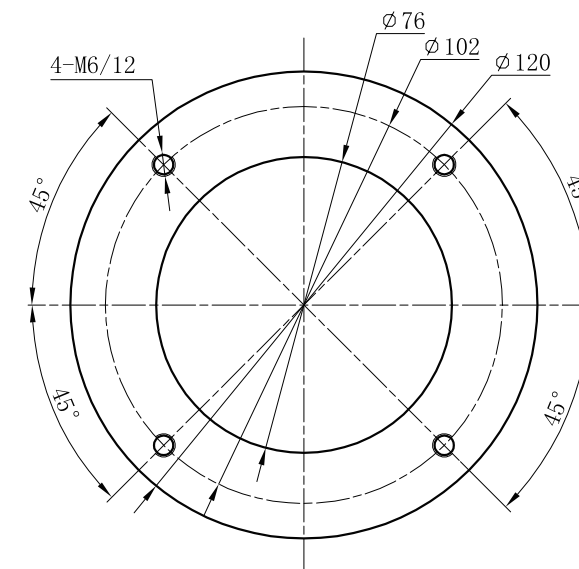
AM6E型压力开关为转阀式开关，借助于旋转的阀套，用于一个压力表可读出六个油路的压力。

AM6E series pressure gauge switch is a turned type switch. Only one can show the pressure in six oil lines by turning the valve bush.

##### ▶ 技术参数 Technical data

最高允许工作压力(Mpa) Max. working pressure allowed (Mpa)	31.5
回油口最高允许背压(Mpa) Max. back pressure allowed in return oil ports(Mpa)	1
压力表显示范围(MPa) pressure gauge indicating range (MPa)	2.5, 6, 10, 16, 25, 40
管接头螺纹规格 Union joint thread size	G1/4", Z1/4", M14X1.5
压力表接头螺纹 pressure gauge connection thread	G1/4", Z1/4", M14X1.5
介质温度范围(°C) Fluid temperature range (°C)	-20 ~ 80
重量(千克) Weight(KGS)	2.2
阀体 (材料) 表面处理 Valve body (Material) Surface treatment	钢件 表面发黑处理 Steel Body Surface Black Oxide
油液清洁度/Oil cleanliness	NAS1638 9级和ISO4406 20/18/15级 NAS1638 class 9 and ISO4406 class 20/18/15

##### ▶ 固定底板安装尺寸 Installation dimensions



内装压力表的开关  
Switch with the pressure gauge  
有 6 个测压口  
6 ports to measure the pressure  
A=螺纹连接 P=板式  
A=Thread connection P=Subplate connection  
系列号  
Series number  
压力表显示范围 Indicating range of Pressure (Mpa)  
2.5;6;10;16;25;40

附加说明  
For further details  
无=圆柱管螺纹  
2=公制螺纹; 5=圆锥管螺纹  
NO code=columnar pipe thread  
2=Metric thread  
5=Conical pipe thread  
无=矿物质液压油 V=磷脂酸液压油  
No code=NBR seals for petroleum oils  
V=FPM seals for phosphate ester

**CADIRIRI**  
[www.cadiriri.com.br](http://www.cadiriri.com.br)  
[formularios@cadiriri.com.br](mailto:formularios@cadiriri.com.br)  
 (11) 2601-2839  
 (11) 96393-2796